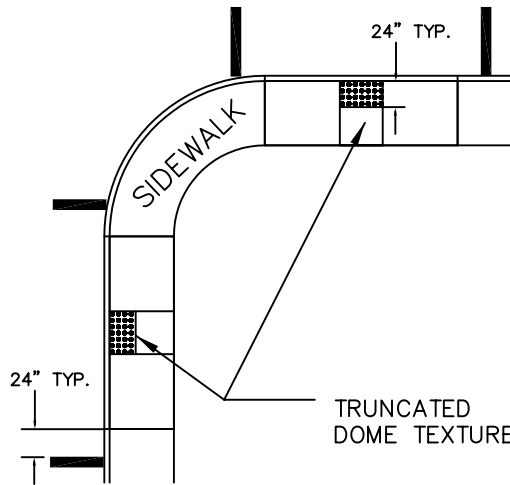
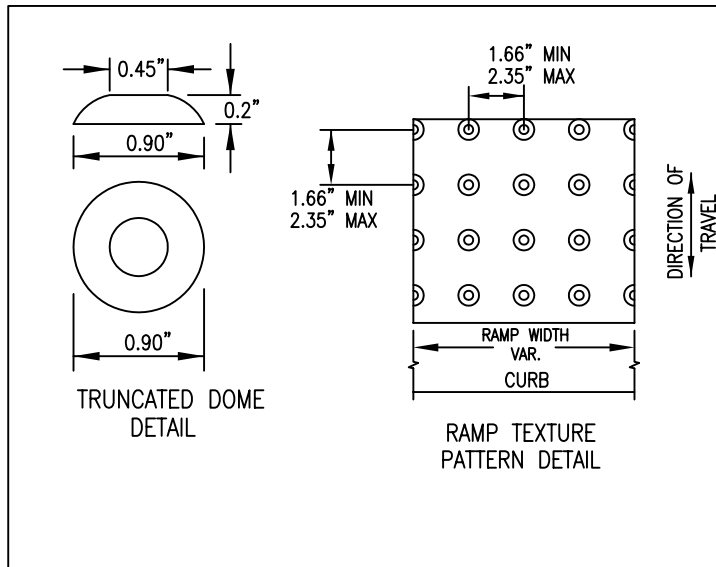
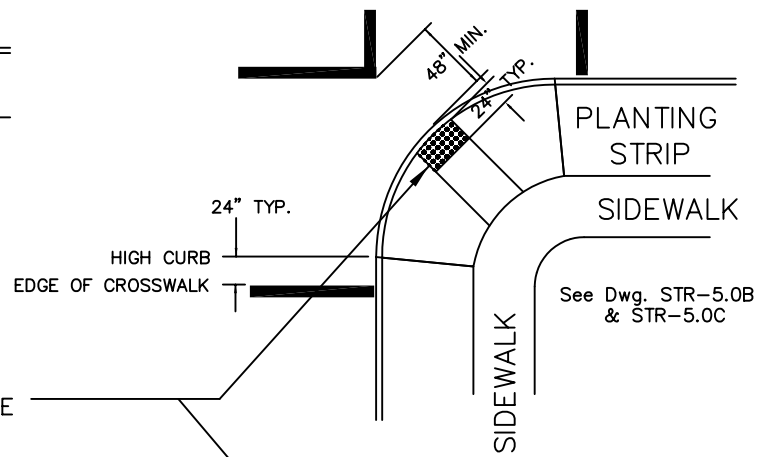


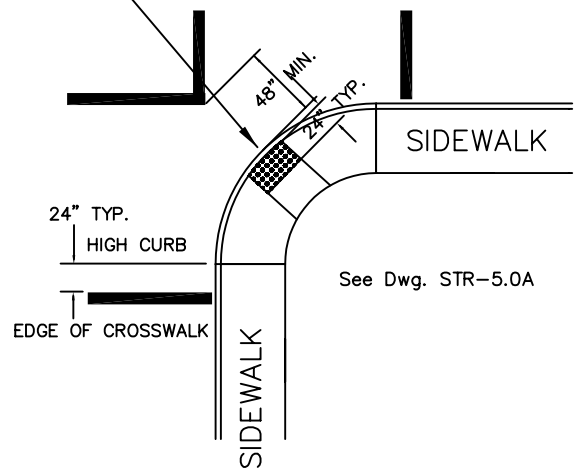
## SIDEWALK AT CURB



## SIDEWALK AT PROPERTY LINE



## SIDEWALK AT CURB



### GENERAL NOTES:

1. - All concrete ramps shall be 3000 P.S.I. at 28 days. See DWG. # STR-8.0 for additional concrete requirements.
2. - Place truncated dome detectable warning texture in the lower 24" of the throat of the ramp only. Arrange domes using in-line pattern only as shown in detail left. Color of texture to contrast visually, dark-on-light (typically black), with adjoining surfaces.
3. - Truncated dome detectable warning surfaces shall be a wet set product installed per manufacturer's instructions. Other products shall require approval by City Engineer prior to ramp construction.
4. - Truncated dome detectable warning surfaces shall comply with Oregon Standard Specifications For Construction, 2002 Edition, Section 00759.
5. - Sidewalk ramp slopes may be reduced to 1:8 when modifying existing facilities.
6. - Sidewalk ramp details shall comply with ORS 447.310. Sidewalk ramps & Texture shall comply with ODOT standard drawing RD755.
7. - Where the planting strip is more than 6 ft. wide, the ramp shall be raised as required to match in with the existing sidewalk.

CITY OF HILLSBORO  
ENGINEERING DEPARTMENT



DWG. NO. STR-5.0

01-14-2003