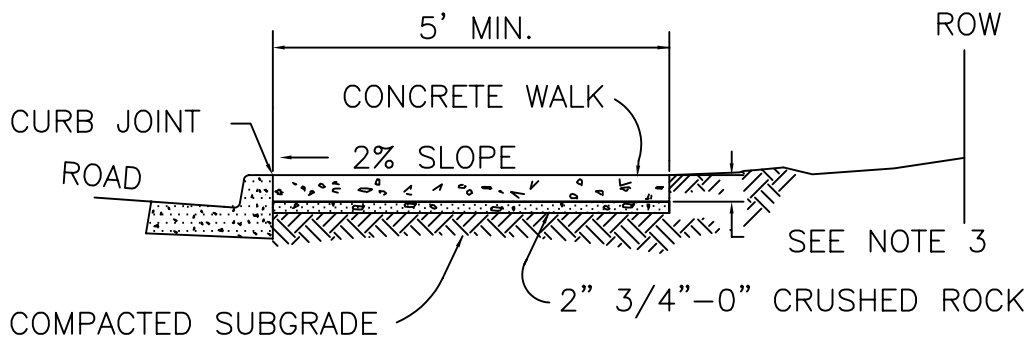


SIDEWALK LOCATED AT PROPERTY LINE



SIDEWALK LOCATED AT CURB

NOTES

1. CONCRETE SHALL BE 3000 P.S.I. AT 28 DAYS. BATCH MIX TICKETS SHALL BE MADE AVAILABLE AT INSPECTORS REQUEST.
2. PANELS SHALL BE 5 FEET LONG, WITH EXPANSION JOINT (MIN. 3/4" THICK PREMOLDED BITUMINOUS MATERIAL) SPACING NOT TO EXCEED 45 FEET AND PLACED AT SIDES OF DRIVEWAY APPROCHES, UTILITY VAULTS & WHEELCHAIR RAMPS.
3. SIDEWALK THICKNESS SHALL BE A MINIMUM OF 5 1/2" THROUGH DRIVEWAY SECTIONS AND 3 1/2" ELSEWHERE.
4. WEEPHOLES IN CURBS SHALL BE EXTENDED TO THE BACK OF SIDEWALK WITH 3" I.D. SCH. 40 PVC AT 2% SLOPE.
5. A MINIMUM 24" WIDE SECTION OF TRUNCATED DOMES SHALL BE INSTALLED ON BOTH SIDES OF SIGNALIZED COMMERCIAL OR INDUSTRIAL DRIVEWAYS. SEE DWG. NO STR-5.0 FOR ADDITIONAL INFO ON THE REQUIREMENTS FOR TRUNCATED DOMES.



CITY OF HILLSBORO
ENGINEERING DEPARTMENT

SIDEWALK DETAIL

REVISION	DATE	
1	2/99	
2	01/03	ADDED TRUNCATED DOME NOTES

DWG. NO.
STR-8.0A