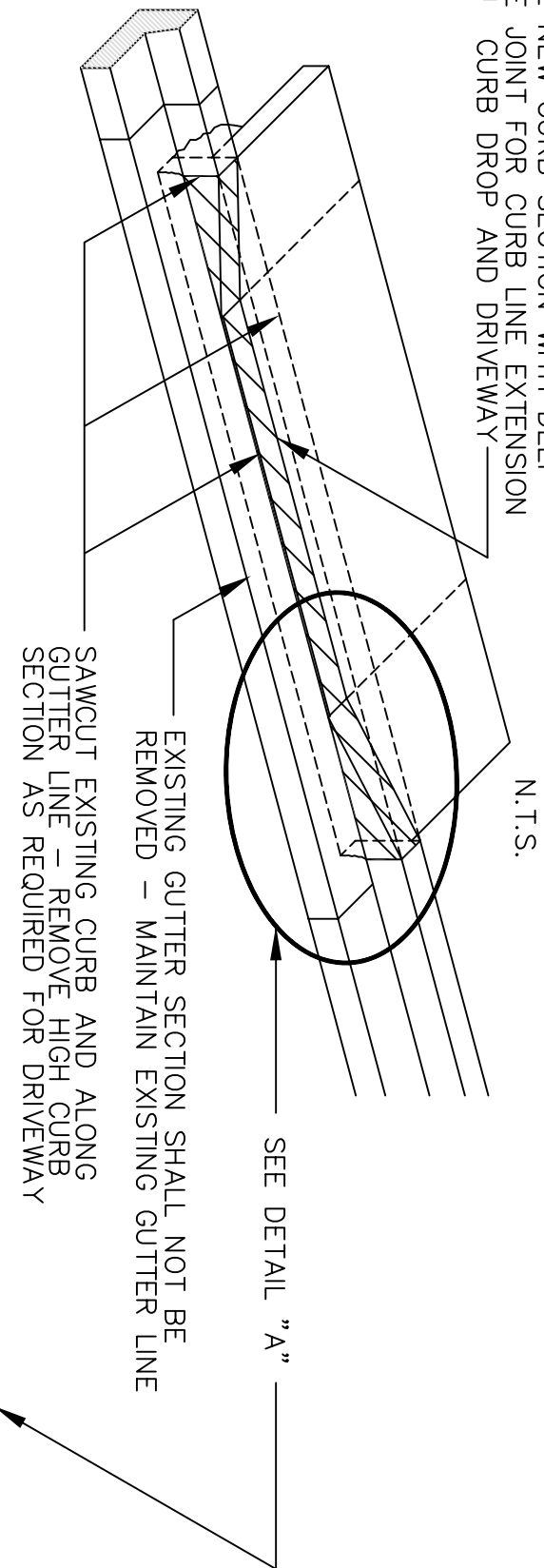


DRIVEWAY INSTALLATION FOR
EXISTING CURB & GUTTER

MAKE NEW CURB SECTION WITH DEEP
KNIFE JOINT FOR CURB LINE EXTENSION
THRU CURB DROP AND DRIVEWAY



NOTE:

1. DRIVEWAY LOCATIONS SHALL BE APPROVED PRIOR TO SAWCUTTING EXISTING CONCRETE. FOR INFORMATION ON DRIVEWAY LOCATIONS SEE DWG. NO. STR-8.0 NOTE #5.
2. ABANDONED DRIVEWAYS SHALL HAVE EXISTING CURB DROP AND APPROACH REMOVED. NEW HIGH CURB AND SIDE-WALKS SHALL BE RE-INSTALLED.
3. ALL EXISTING A.C. DAMAGED DURING DURING CONSTRUCTION SHALL BE SAWCUT REMOVED, AND REPLACED WITH MINIMUM 3" CLASS 'C' A.C. - 2 LIFTS - AS DIRECTED BY CITY ENGINEER

